

PW4M...

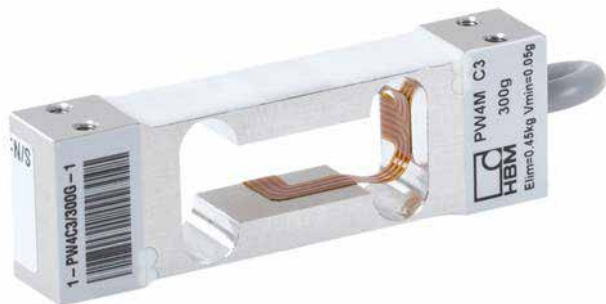
Single point load cells

单点称重传感器

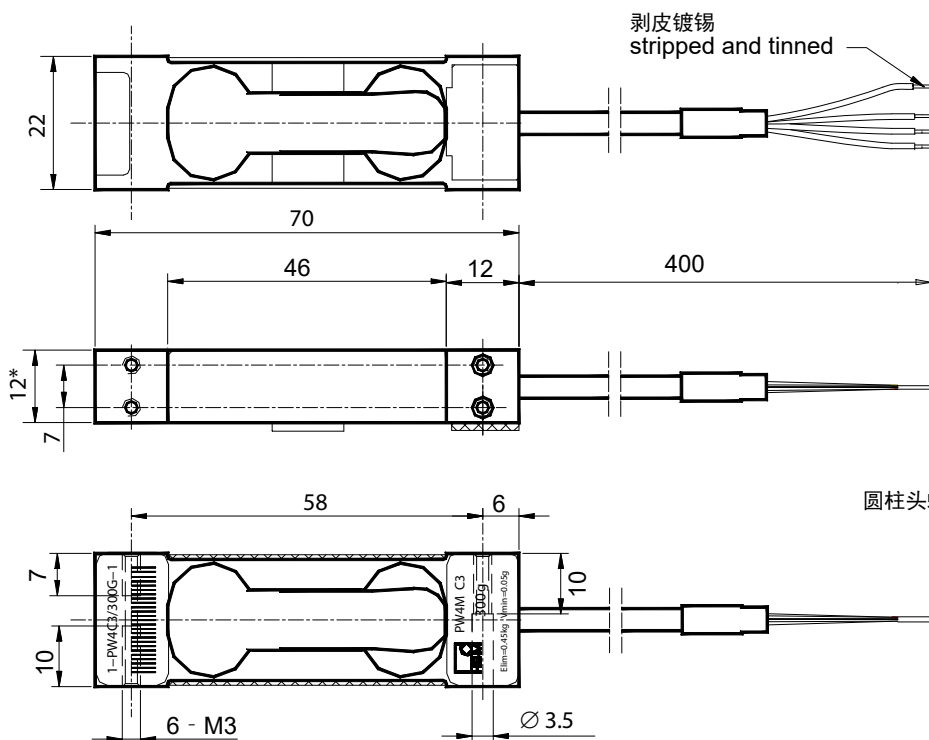
Special features 特点

- For determining small masses (0.3 kg ... 5 kg)
- Aluminum
- Off center load compensated
- Shielded connection cable

- 额定量程0.3kg...5kg
- 铝
- 偏心负载补偿
- 屏蔽电缆



Dimensions (in mm; 1 mm = 0.03937 inches) 尺寸(单位:mm)



Wiring code (4 - core)

Pin1: Excitation (+) blue 蓝 激励(+)

Pin2: Signal (+) white 白 信号(+)

Pin3: Signal (-) red 红 信号(-)

Pin4: Excitation (-) black 黑 激励(-)

Shield yellow

(connected to load cell body)

屏蔽(黄)= 连接到测量体

Mounting: 安装

圆柱头螺钉 Cylindrical head screws: M3 - 8.8

Tightening torque: 1.3 N·m

紧固扭矩

* With max. capacities 2 kg/3kg/5kg: 15

Specifications 规格

Type 型号 Order-No.			1-PW4MC3/xxKG-1					
Range			/300G-1	/500G-1	/1KG-1	/2KG-1	/3KG-1	/5KG-1
Accuracy class 1) 精度等级			C3					
Maximum number of load cell intervals n _{LC} 最大检定分度数			3000					
Maximum capacity 2) 额定量程	E _{max}	kg	0.300	0.500	1	2	3	5
Minimum LC verification interval 最小检定分度值	v _{min}	g	0.05	0.1	0.2	0.5	0.5	1
Temperature effect on zero balance 温度对零点的影响	TK ₀	% of C _n / 10 K	0.0233	0.0280	0.0200	0.0200	0.0200	0.0200
Ratio of minimum verification interval 最小检定分度值比率	Y		6000	5000	5000	10000	6000	5000
Max. platform size 秤盘尺寸		mm	200 x 200					
Sensitivity 灵敏度	C _n	mV/V	1.0 ± 0.1		2.0 ± 0.2			
Zero signal 零点			0 ± 0.03		0 ± 0.06			
Temperature effect on sensitivity 3) 温度对灵敏度的影响	TK _C	% of C _n / 10 K	±0.0175 ±0.0117					
Temperature range: +20 ... +40 °C [68...104 °F] -10 ... +20 °C [14...68 °F]								
Hysteresis error 3) 滞后误差	d _{hy}	% of C _n	±0.0150					
Non - linearity 3) 线性误差	d _{lin}		±0.0150					
Minimum dead load output return 蠕变恢复	DR		±0.0166					
Off center load error 4) 四角误差			±0.0233					
Input resistance 输入电阻	R _{LC}	Ω	380±38					
Output resistance 输出电阻	R ₀		380±38					
Reference excitation voltage 参考激励电压	U _{ref}	V	5					
Nominal range of excitation voltage 额定激励电压	B _U		1 ... 15					
Max. excitation voltage 最大激励电压		V	15					
Insulation resistance at 100 V _{DC} 绝缘电阻	R _{is}	GΩ	> 2					
Nominal temperature range 额定温度	B _T	°C [°F]	-10 ... +40 [+14...+104]					
Operating temperature range 工作温度	B _{Tu}		-10 ... +50 [+14...+122]					
Storage temperature range 存储温度	B _{tl}		-25 ... +70 [-13...+158]					
Limit load 4) 极限负载 at max. eccentricity	E _L	% of E _{max}	150					
		mm	100					
Lateral load limit , static 极限侧载	E _{lq}	% of E _{max}	200					
Breaking load 破坏负载	E _d		> 300					
Deflection at E _{max} , approx. 最大载荷下变形量	s _{nom}	mm	< 0.5					
Weight, without cable, approx. 重量	m	kg	0.05					
Degree of protection 5) 保护等级			IP67					
Material: Measuring body 测量体 材料: Coating 应用保护 Cable sheath 电缆屏蔽			Aluminum Silicone rubber PVC					

1) In accordance to OIML R60 with P_{LC} = 0.7 按照 OIML R60

2) Max. eccentric load according to OIML R76 最大偏心加载按照 OIML R76

3) The data for Non - linearity (d_{lin}), Hysteresis error (d_{hy}) and Temperature effect on sensitivity (TK_C) are typical values. The sum of these data meets the requirements according to OIML R60.

非线性误差, 滞后误差和温度对灵敏度影响的数据是平均值, 这些值的总和达到OIML R60

4) According to OIML R76 按照 OIML R76

5) According to IEC529

Subject to modifications.

All product descriptions are for general information only. They are not to be understood as a guarantee of quality or durability.

托驰 (上海) 工业传感器有限公司
上海市嘉定区华江路348号1号楼707室
Tel. 021-51069888 Fax. 021-51069009
www.yanatoo.com zhang@yanatoo.com

